



Hotai
Hotai: Clear quartz

Hotai Collection, 2020

Hotai: Clear quartz

Hotai I

Type: Lamp

Environment: Interior

Oak wood, clear quartz, brass, LED

Size: 16" W x 7.9" D x 17.7" H

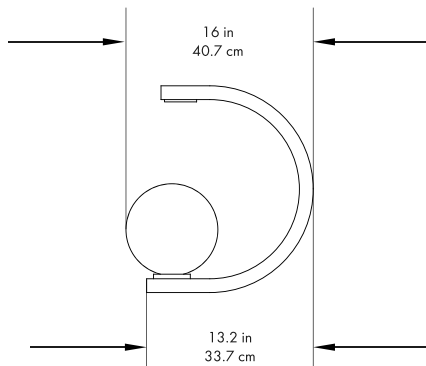
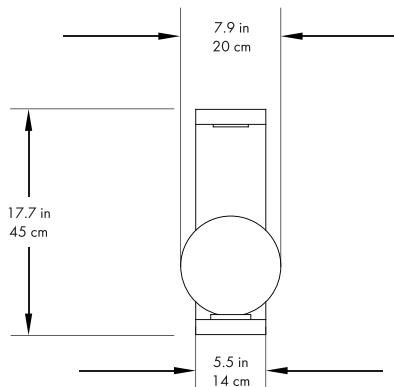
40.7 W x 20 D x 45 H cm

Sphere diameter: Ø 7.9" / 20 cm

(Sphere size may vary ± 0.3" / 1 cm)

Weight: 35.2 lb / 16 kg

28.6 lb / 14 kg of quartz approx.



Hotai II

Type: Lamp

Environment: Interior

Oak wood, clear quartz, brass, LED

Size: 12.4" W x 6.3" D x 14.1" H

31.5 W x 16 D x 36 H cm

Sphere diameter: Ø 6.3" / 16 cm

(Sphere size may vary ± 0.3" / 1 cm)

Weight: 19.3 lb / 8.8 kg

15.4 lb / 7 kg of pyrite approx.

